

LIST OF FIELD MODIFICATIONS

AIRCRAFT GENERAL

(This EO replaces EO 05-1-6A dated 15 Mar 62)

TABLE OF CONTENTS

LATEST DATE	EO NO	TITLE
	05-1-6A/1	(Rescinded)
	/2	(Rescinded)
	/3	(Replaced by EO 35AA-10APN2-6A/1)
	/4	(Rescinded)
	/5	(Rescinded)
12 Nov 53	/6	Standardization of Electrical Connectors for B-16 Type Compasses
8 Mar 57	/7	Extension Cord Switch
	/8	(Replaced by EO 05-1-6A/15)
	/9	(Rescinded)
	/10	Replaced by EO 05-1-6A/13
	/11	(Rescinded)
8 Apr 60	/12	Antenna Connector UG-102/U

TABLE OF CONTENTS (Cont'd)

LATEST DATE	EO NUMBER	TITLE
27 Jan 61	05-1-6A/13	Helmet Cord Replacement
1 Feb 61	/14	I. L. S. Six-Channel Facility
*	/15	(Replaced by EO 05-1-6A/19)
25 Jan 62	/16	Standardization of Antenna Lead-In Wire
*29 Aug 63	/17	Shockmount Replacement
* 8 Oct 63	/18	Disabling Double Channel Facility
* 4 Oct 63	/19	Antenna Leading Edge Protection

* Asterisks appearing opposite entries denote changes since last issue

ISSUED ON AUTHORITY OF THE CHIEF OF THE AIR STAFF

MODIFICATION

ANTENNA LEADING EDGE PROTECTION

(This EO replaces EO 05-1-6A/19 dated 4 Oct 63)

EQUIPMENT AFFECTED:	All Aircraft fitted with Anti-precipitation Static Antenna Masts and in special instances to Metal Blade Antennae
BY WHOM WORK WILL BE PERFORMED:	Units, RDs and Contractors
WHEN WORK WILL BE PERFORMED:	On or before next Periodic Inspection due
RCAF FORM ENTRIES:	L14-1B, L14-6
MODIFICATION OF SPARES IN STOCK:	NA

PURPOSE

1 The purpose is twofold:

- (a) To prevent erosion of the leading edge of anti-precipitation static antenna masts.
- (b) To prevent chipping of the leading edge of metal blade antennae, if found necessary.

MODIFICATION DATA

2 The following is the sequence of operations:

- (a) Clean off the mast or the metal blade antenna making use of methyl ethyl ketone solvent.
- (b) Mask off an area 11/16" on each side of the mast or antenna leading edge centreline and sand lightly to remove gloss.
- (c) Cut a strip of 1/64" thick synthetic rubber 1- 3/8" wide, length as required, and sand one side lightly.
- (d) Apply one coat of adhesive cement to the masked off area of the mast or antenna and to the sanded side of the synthetic rubber. Allow to dry for one hour.
- (e) After the adhesive cement has dried for one hour apply the synthetic rubber to one side of the mast or antenna, then carefully wrap around the leading edge without stretching the rubber.
- (f) Take particular care to ensure good adhesion at the edges.

PARTS REQUIRED

3 The following parts are required to incorporate this modification:

RCAF REF.	PART	DESCRIPTION	QTY.
33C/520	CGSB15-GP-52	Solvent, methyl ethyl ketone	AR
32C/449	63707	Rubber, synthetic	AR
33G/8040-21-805-9846		Cement, adhesive	AR

PARTS RENDERED SURPLUS OR OBSOLETE

4 Nil

WEIGHT, LOADING AND BALANCE DATA

5 The weight and balance change resulting from the instructions contained herein is negligible.

ADDITIONAL DATA

6 The following additional data applies:

- (a) It is estimated that this modification will require approximately 2 man-hours.
- (b) Local purchase is authorized from BF Goodrich Canada Ltd., Kitchener Ont. of rubber, synthetic Part 63707 available in rolls 30" wide.
- (c) This modification is raised as a result of Station Vancouver UCR 2356/A136 dated 11 Dec 62 and AMC technical survey.

ISSUED ON AUTHORITY OF THE CHIEF OF THE AIR STAFF

Prepared by:
AMC/SAVO/T1

MODIFICATION

DISABLING DOUBLE CHANNEL FACILITY

EQUIPMENT AFFECTED:	All Aircraft fitted with Bendix VHF Control CNA-21CNX
BY WHOM WORK WILL BE PERFORMED:	Units, RDs and Contractors
WHEN WORK WILL BE PERFORMED:	On or before next Periodic Inspection due
RCAF FORM ENTRIES:	L14-1B, L14-6
MODIFICATION OF SPARES IN STOCK:	NA

PURPOSE

1 To eliminate the possibility of accidentally switching the SC/DC toggle switch on the VHF control to the double channel position, consequently losing the VHF facility.

MODIFICATION DATA

2 The following is the sequence of operations:

- (a) Remove the cover from the aircraft radio junction box.
- (b) Trace the wire that runs to pin 50 on the VHF control CNA-21CNX, and remove from its present terminal in radio junction box.
- (c) This wire shall be suitably taped and stowed away.
- (d) Carry out a functional test with the SC/DC toggle switch in both positions.

PARTS REQUIRED

3 Nil

PARTS RENDERED SURPLUS OR OBSOLETE

4 Nil

WEIGHT, LOADING AND BALANCE DATA

5 The weight and balance change resulting from instructions contained herein is negligible.

ADDITIONAL DATA

6 The following additional data applies:

- (a) It is estimated that this modification will require approximately one-half man-hour.
- (b) RCAF Drawings detailing the Bendix VHF interconnection wiring for the specific aircraft may be obtained on request from AMCHQ/SOED/ES.
- (c) This modification is raised as a result of 412 Sqn Uplands UCR 3322/A92, dated 15 May 63.

Prepared by:

AMC/SAVO/T1

ISSUED ON AUTHORITY OF THE CHIEF OF THE AIR STAFF

MODIFICATION

SHOCKMOUNT REPLACEMENT

EQUIPMENT AFFECTED: All Aircraft equipped with AN/APS-42B

BY WHOM WORK WILL BE PERFORMED: Units, RDs and Contractors

WHEN WORK WILL BE PERFORMED: On or before next Periodic Inspection due

RCAF FORM ENTRIES: L14-1B, L14-6

MODIFICATION OF SPARES IN STOCK: NA

PURPOSE

1 To replace the existing shockmounts, supporting the indicator IP-215(A)/APS-42B, with shockmounts of greater carrying capacity.

MODIFICATION DATA

2 The following is the sequence of operations:

- (a) Remove the indicator IP-215 from its shockmounts.
- (b) Remove shockmounts Part 7001-K.
- (c) Install new shockmounts Ref. 27LM/312 in place of those removed.
- (d) Re-install the indicator IP-215.

PARTS REQUIRED

3 The following parts are required to incorporate this modification and shall be provided from unit resources or demanded from depot stocks.

RCAF REF.	PART	DESCRIPTION	QTY.
27LM/312	770-4G	Shockmount	8

PARTS RENDERED SURPLUS OR OBSOLETE

4 The following parts are rendered obsolete and shall be disposed of in accordance with CAP 16, Vol 1, Chapter 13.

RCAF REF.	PART	DESCRIPTION	QTY.
10EP/48322	7001-K	Shockmount	8

WEIGHT, LOADING AND BALANCE DATA

5 The effect on weight and C of G is negligible.

ADDITIONAL DATA

6 The following additional data applies:

- (a) It is estimated that this modification will require approximately 2 man-hours.
- (b) This modification was originally published under EO 35AA-15APS-42B-6A/19. Aircraft modified under this EO will not require additional work, but L14-6 is to be annotated to reflect the change.
- (c) This modification is raised as a result of 412 (T) Sqn UCR 3322/A80 dated 26 Apr 63.

ISSUED ON AUTHORITY OF THE CHIEF OF THE AIR STAFF

Prepared by:
AMC/SAVO/T1

MODIFICATION

STANDARDIZATION OF ANTENNA LEAD-IN WIRE

EQUIPMENT AFFECTED:	All Aircraft Using Non-Co-axial Antenna Lead-In Wire
BY WHOM WORK WILL BE PERFORMED:	Units, RDs and Contractors
WHEN WORK WILL BE PERFORMED:	When replacement of Lead-In wire is required
RCAF FORM ENTRIES:	L14-1B, L14-6B
MODIFICATION OF SPARES IN STOCK:	NA

PURPOSE

1 To standardize aircraft internal non-co-axial antenna lead-in wire by replacing existing lead-in wire with teflon insulated cable Amphenol Part 414-260.

MODIFICATION DATA

2 The following is the sequence of operations:

- (a) Remove existing non-co-axial antenna lead-in wire.
- (b) Replace lead-in wire with same length of teflon insulated cable.

PARTS REQUIRED

3 The following part is required to affect this modification and is to be demanded from depot stocks:

RCAF REF.	PART	DESCRIPTION	QTY.
5E/6145-00-722-9700	Amphenol 414-260	Cable, RF Teflon, insulated	AR

PARTS RENDERED SURPLUS OR OBSOLETE

4 The following part is rendered surplus as a result of this modification and is to be disposed of in accordance with CAP 16, Volume 1, Chapter 13:

RCAF REF.	PART	DESCRIPTION	QTY.
		Existing lead-in wire	AR

WEIGHT, LOADING AND BALANCE DATA

5 The weight and balance change resulting from the instructions contained herein is negligible.

ADDITIONAL DATA

6 The following additional data applies:

(a) It is estimated that this modification will require 1 to 5 man-hours dependent on aircraft type.

(b) This modification is issued as a result of a recommendation submitted by ATCHQ Message S4152 dated 30 Jun 61.

ISSUED ON AUTHORITY OF THE CHIEF OF THE AIR STAFF

Prepared by:
AMC/STelO/TelAF

MODIFICATION

I.L.S. SIX-CHANNEL FACILITY

EQUIPMENT AFFECTED: Aircraft fitted with R-89B/ARN-5A
(10EU/23271) and BC-733D
(10EU/14475)

BY WHOM WORK WILL BE PERFORMED: Unit Telecommunications personnel

WHEN WORK WILL BE PERFORMED: As soon as possible

RCAF FORM ENTRIES: L14, L61

MODIFICATION OF SPARES IN STOCK: NA

PURPOSE

1 To fit all aircraft with six channel ILS facilities.

MODIFICATION DATA

2 The following is the sequence of operations: -

- (a) Remove 10EU/23271 R-89B/ARN5A Receiver
- (b) Remove 10EU/14475 BC-733D Receiver
- (c) Install 10EU/43677 R-430B/ARN5C Receiver
- (d) Install 10EU/57031 BC-733D (Mod) Receiver

PARTS REQUIRED

3 The following parts are required for embodiment of this modification and are to be obtained on a one for one exchange basis.

RCAF REF.	PART	DESCRIPTION	QUANTITY
10EU/43677	R430B/ARN5C	Receiver	1
10EU/57031	BC-733D (Mod)	Receiver	1

PARTS RENDERED SURPLUS OR OBSOLETE

4 The following parts are to be returned in exchange for required items: -

RCAF REF.	PART	DESCRIPTION	QUANTITY
10EU/23271	R-89B/ARN-5A	Receiver	1
10EU/14475	BC-733D	Receiver	1

WEIGHT, LOADING AND BALANCE DATA

5 The effect on the weight, loading and balance of aircraft is not affected.

Prepared By:

AMC/STelO/TelAE

ISSUED ON AUTHORITY OF THE CHIEF OF THE AIR STAFF

MODIFICATION

HELMET CORD REPLACEMENT

(This EO replaces EO 05-1-6A/13 dated 22 Jul 60)

EQUIPMENT AFFECTED:	Helmet used with Sabre and T-33 Aircraft (See Note below)
BY WHOM WORK WILL BE PERFORMED:	Operating Units
WHEN WORK WILL BE PERFORMED:	As soon as possible
RCAF FORM ENTRIES:	NA
MODIFICATION OF SPARES IN STOCK:	As required

NOTE

This modification must be carried out in conjunction with EO 05-5E-6A/304 (Sabre) and EO 05-50C-6A/366 (T-33).

PURPOSE

1 To improve helmet wiring and to provide a better helmet cord assembly.

MODIFICATION DATA

IMPORTANT

Two different methods of attaching the cord to the helmet are outlined in this leaflet. The user is to be given the opportunity to decide which method is to be used. Figure 2 shows Method "A" and Figure 5 Method "B".

2 The following is the sequence of operations:

METHOD "A"

- (a) Remove the two receivers Ref. 10EC/27819 from the helmet.
- (b) Remove headset cords Ref. 10EA/29525 and 10EA/29526 from the helmet.
- (c) Stitch the microphone connector harness to the helmet as shown in Figure 1, using thread nylon Ref. 32P/415.
- (d) From the new cord assembly Ref. 10EA/56726 remove the cross bar strain reliefs at the end of receiver cables. Retain the cross bars.

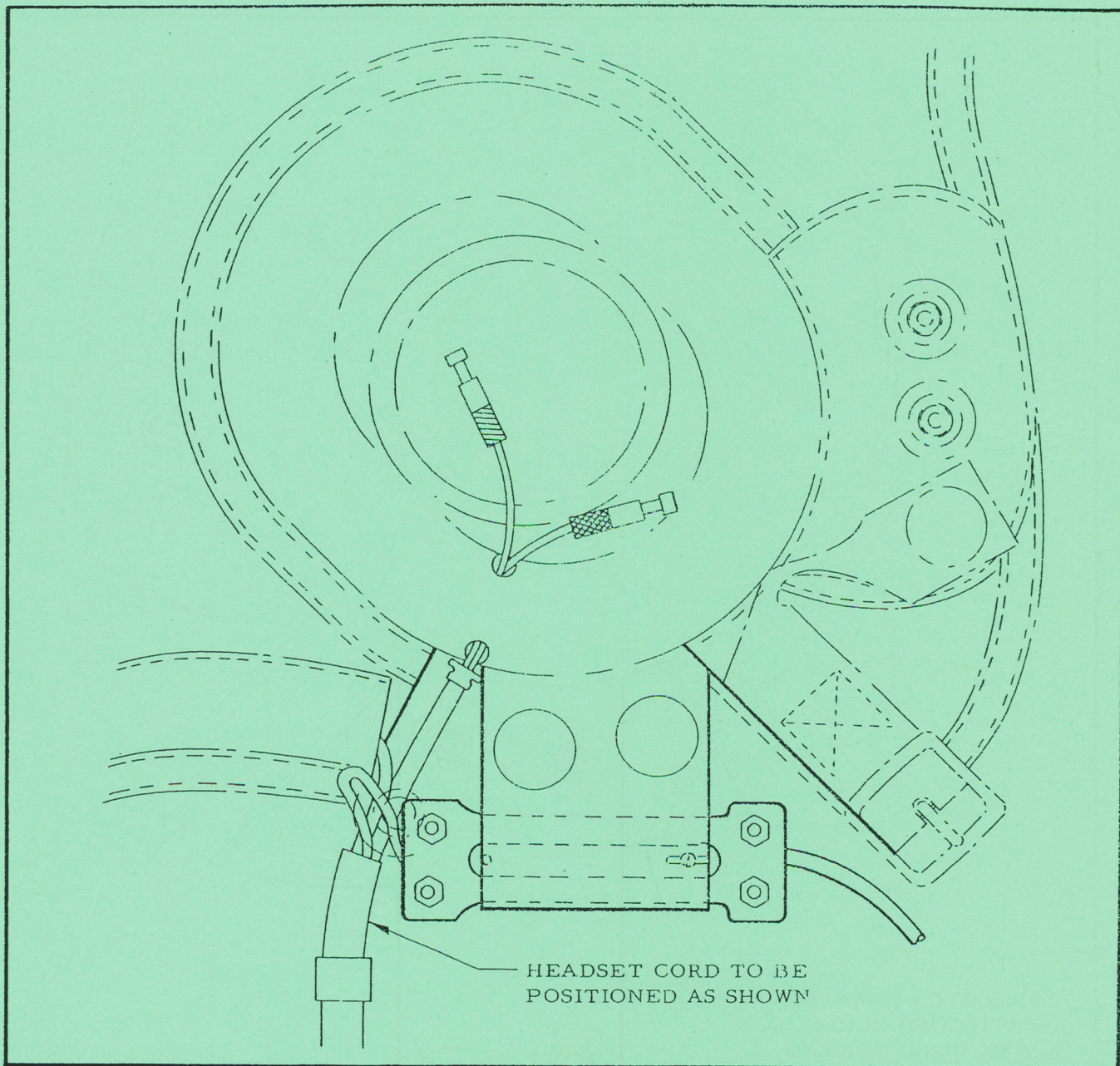
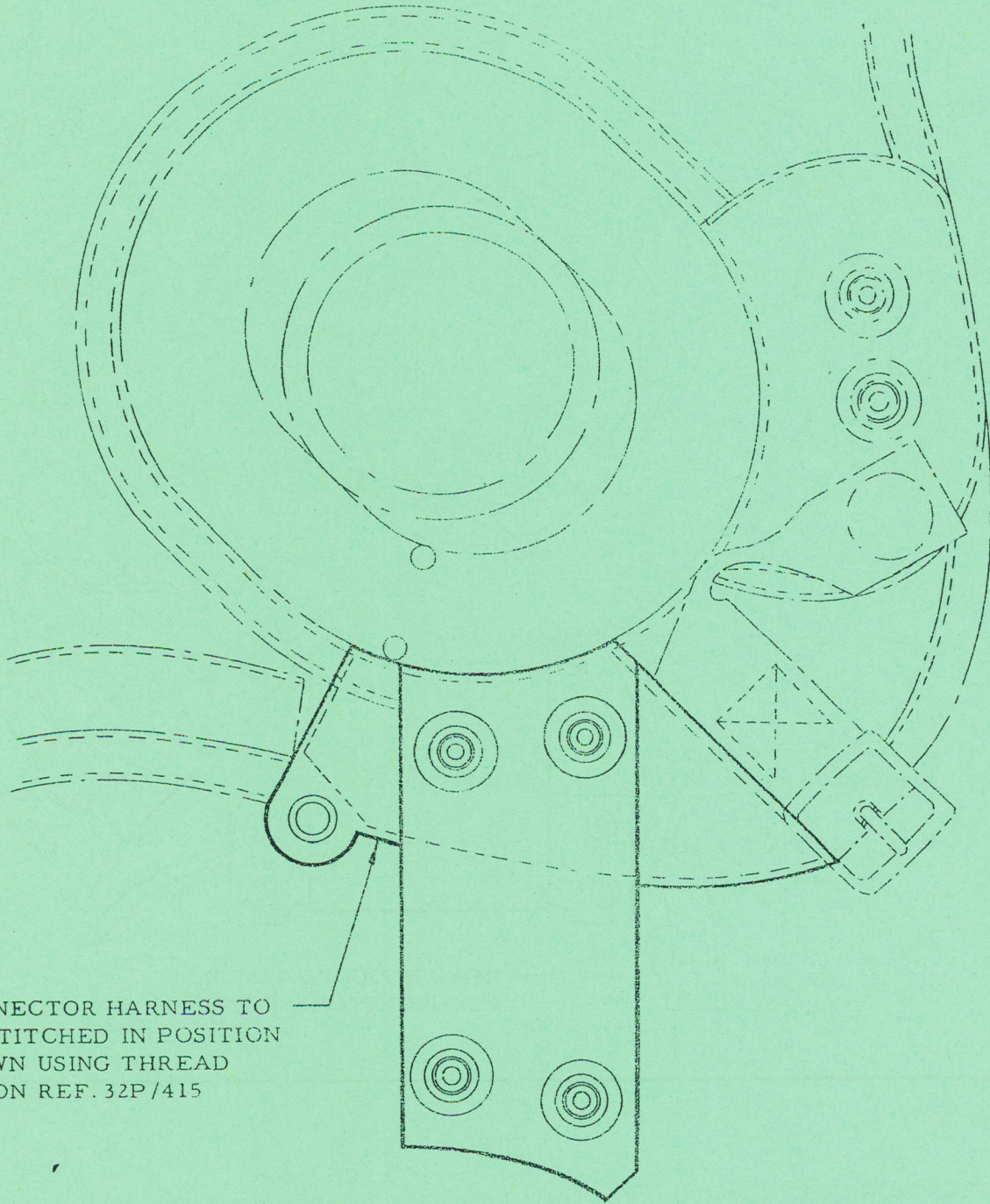


Figure 2

MODIFICATION DATA (Cont'd)

- (e) Insert the longer receiver cable through the channel across the back of the helmet, from right to left, refer to Figure 2.
- (f) Feed the receiver cables through the holes in the rubber earpieces and replace the cross bar strain reliefs removed in para. 2(d).
- (g) Insert the receiver leads in the receiver sockets and tighten the securing screws on the side of the receivers.



CONNECTOR HARNESS TO
BE STITCHED IN POSITION
SHOWN USING THREAD
NYLON REF. 32P/415

Figure 1

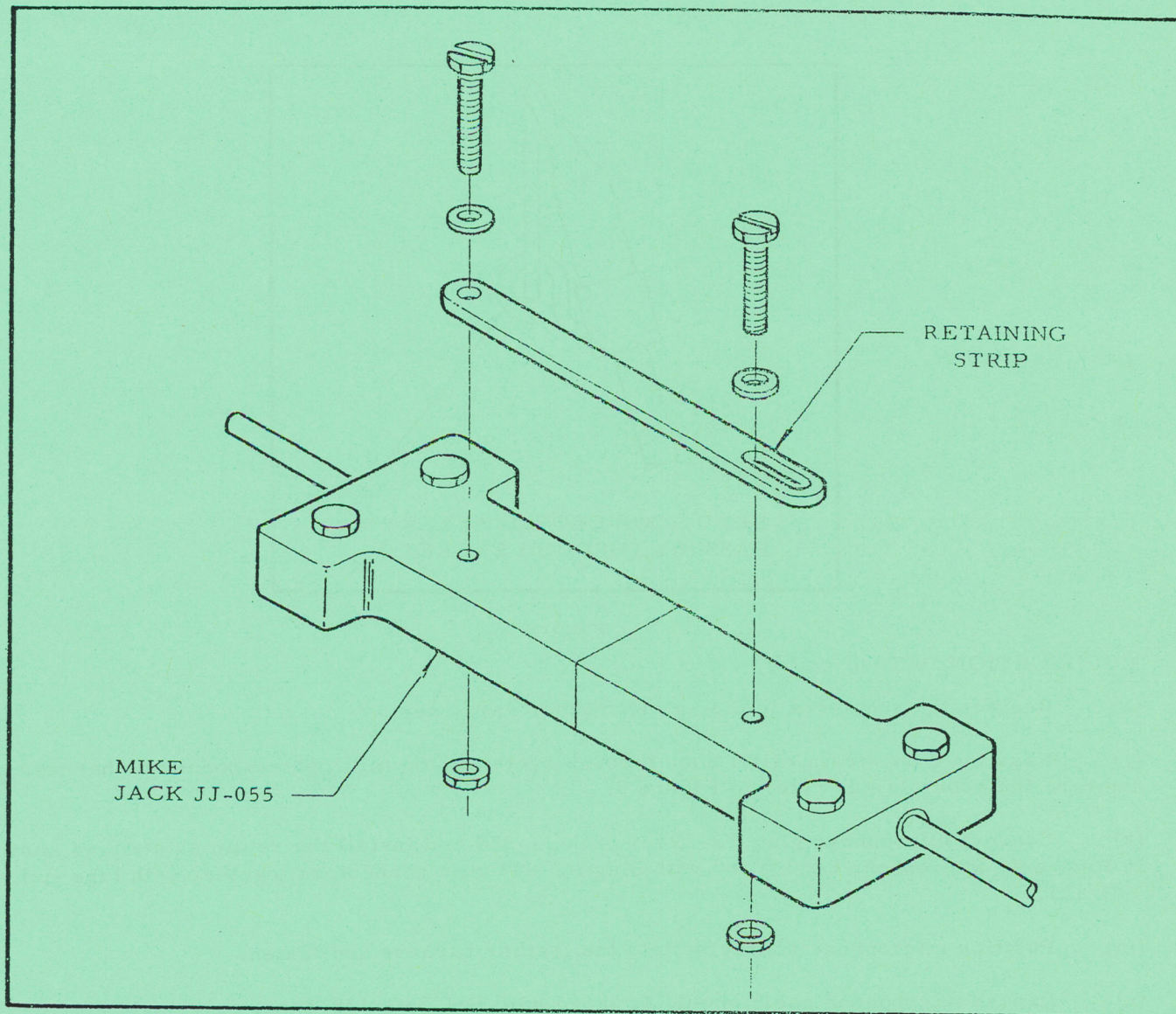


Figure 4

MODIFICATION DATA (Cont'd)

- (v) Insert the receiver leads in the receiver sockets and tighten the securing screws on the side of the receivers.
- (w) Replace receivers in the helmet rubber earpieces.
- (x) Stitch headset cord to the helmet as shown in Figure 5.
- (y) Remove and discard strain relief assembly shown in Figure 3 from headset cord.
- (z) Connect microphone PJ-292 to jack JJ-055 and install retaining strip as shown in Figure 4. Microphone cord fitted with plug PJ-291 tape connectors together with tape Ref. 33G/135.
- (aa) Excess microphone cable should be taped with Ref. 33G/135 tape, polyvinyl chloride.
- (ab) Check helmet.

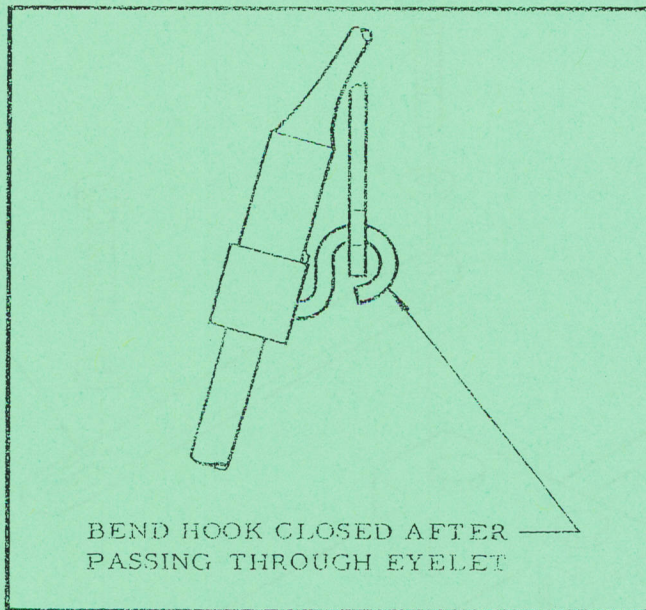


Figure 3

MODIFICATION DATA (Cont'd)

- (h) Replace the receivers in the helmet rubber earpieces.
- (j) Pass the cord strain relief hook through eyelet on the microphone connector harness and bend the hook closed; refer to Figure 3.
- (k) Connect microphone plug PJ-292 to jack JJ-055 and install the retaining strip as shown in Figure 4. Microphone cord fitted with plug PJ-291 tape connectors together with tape Ref. 33G/135.
- (m) Position microphone connector into the leather harness and fasten.
- (n) Excess microphone cable should be taped with Ref. 33G/135 Tape, polyvinyl chloride.
- (p) Check the helmet.

METHOD "B"

- (q) Remove the two receivers Ref. 10EC/27819 from helmet.
- (r) Remove headset cords Ref. 10EA/29525 and 10EA/29526 from helmet.
- (s) From new cord assembly Ref. 10EA/56726 remove the cross bar strain reliefs at the end of receiver cables. Retain the cross bars.
- (t) Insert the longer receiver cable through the channel across the back of the helmet, from right to left or for aircrew personnel who prefer having oxygen mask fastening to the right, insert cable from left to right.
- (u) Feed the receiver cables through the holes in the rubber earpieces and replace the cross bars removed in para. 2(s).

PARTS REQUIRED

3 The following part is required to effect this modification and is to be demanded from 1 SD Downsvievw and 30AMB Langar:-

RCAF REF.	PART	DESCRIPTION	QUANTITY
10EA/56726	351362-1	Cord and harness assembly	1

PARTS RENDERED SURPLUS OR OBSOLETE

4 The following parts are rendered surplus as a result of this modification and are to be returned to stock if serviceable:-

RCAF REF.	PART	DESCRIPTION	QUANTITY
10EA/29525		Cord headset (AF/AACX-206)	1
10EA/29526		Cord headset (AF/AACX-219)	1

ISSUED ON AUTHORITY OF THE CHIEF OF THE AIR STAFF

Prepared By:
AMC/S Tel O/Tel AE

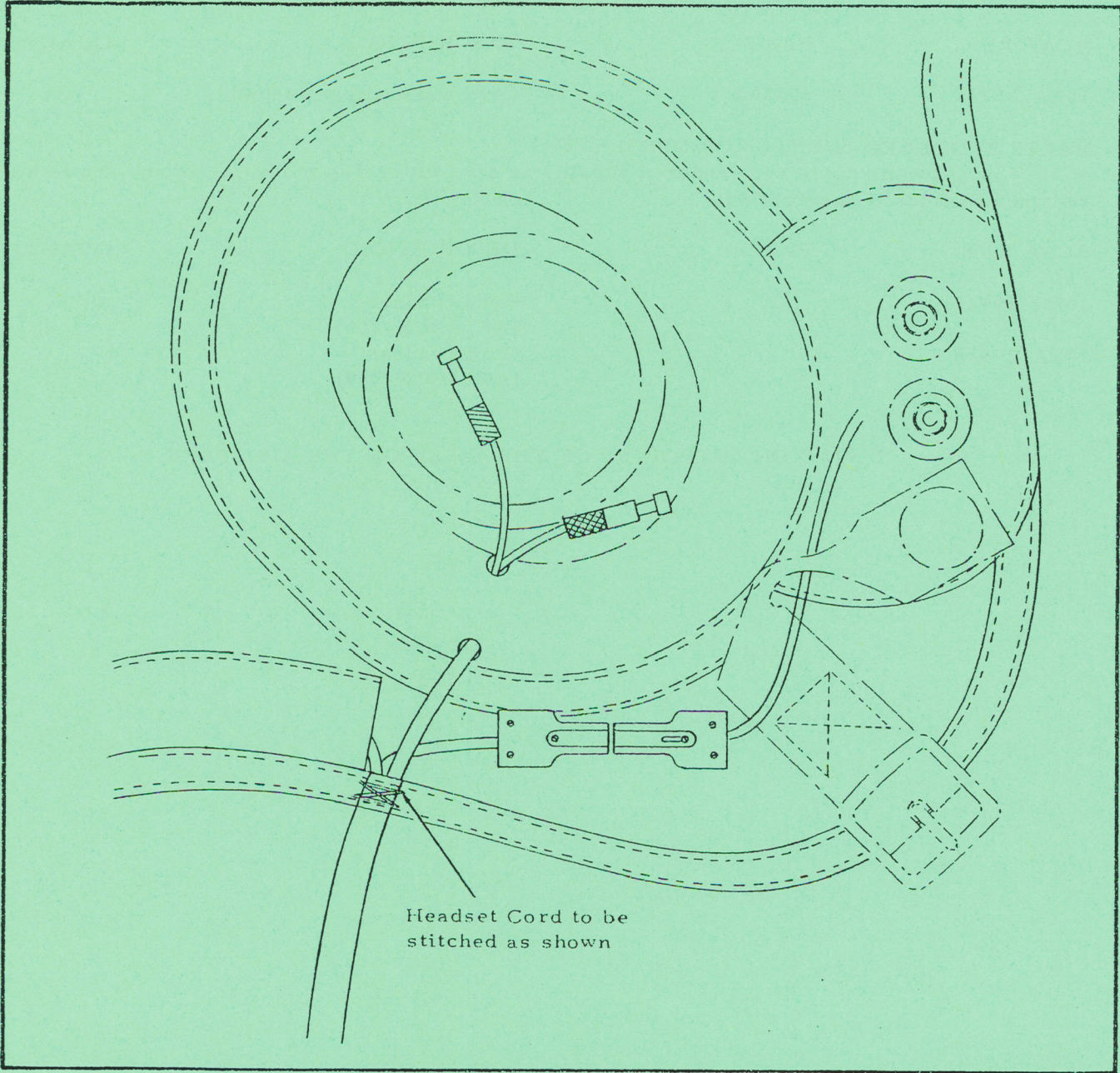


Figure 5

MODIFICATION

ANTENNA CONNECTOR
UG-102/U

EQUIPMENT AFFECTED:	All aircraft fitted with AN/ARN-5 and RC-103
BY WHOM WORK WILL BE PERFORMED:	Operating Units
WHEN WORK WILL BE PERFORMED:	Next Inspection
RCAF FORM ENTRIES:	L-14
MODIFICATION OF SPARES IN STOCK:	NA

PURPOSE

1 To prevent damage to antenna receptacle UG-103A/U on R-89B/ARN-5, R-530B/ARN-5 and BC-733D receivers. Damage occurs when connection is being made between the receiver and the antenna connector. The bevel tips of UG-102/U sometimes enter a gap between the pin and the phenolic insert and damage to the pin results.

MODIFICATION DATA

2 The following is the sequence of operations:-

- (a) Disconnect antenna connector UG-102/U from BC-733D localizer receiver.
- (b) Using a small file round off the end of the two pins of UG-102/U.
- (c) Connect the antenna to the receiver.
- (d) Disconnect antenna connector UG-102/U from R-89B/ARN-5 or R-430B/ARN-5 receiver.
- (e) Repeat paras. 2 (b) and 2 (c).

ISSUED ON AUTHORITY OF THE CHIEF OF THE AIR STAFF

MODIFICATION

EXTENSION CORD SWITCH

(This EO replaces EO 05-1-6A/7 dated 22 Jan 54)

EQUIPMENT AFFECTED: AF/AACX-203 Extension Cord
RCAF Ref. 10EA/27829

BY WHOM WORK WILL BE PERFORMED: Units and RDs

WHEN WORK WILL BE PERFORMED: At Units Discretion

RCAF FORM ENTRIES: L14, E133

MODIFICATION OF SPARES IN STOCK: As Required

PURPOSE

1 To replace push-to-talk switch on extension cord 10EA/27829 to provide a locking circuit for the microphone.

MODIFICATION DATA

2 The following is the sequence of operations:

- (a) Remove switch aviometer type 9002.
- (b) Connect Roanwell switch Type 9992, 10EA/33905, as per Figure 1.

PARTS REQUIRED

3 The following part is required to effect this modification:-

RCAF REF.	PART	DESCRIPTION	QUANTITY
10EC/33905	9992	Roanwell switch	1
10EA/46149		Cord protector kit	1

PARTS RENDERED SURPLUS OR OBSOLETE

4 The following part is rendered surplus by the embodiment of this modification:-

RCAF REF.	PART	DESCRIPTION	QUANTITY
	9002	Aviometer switch	1

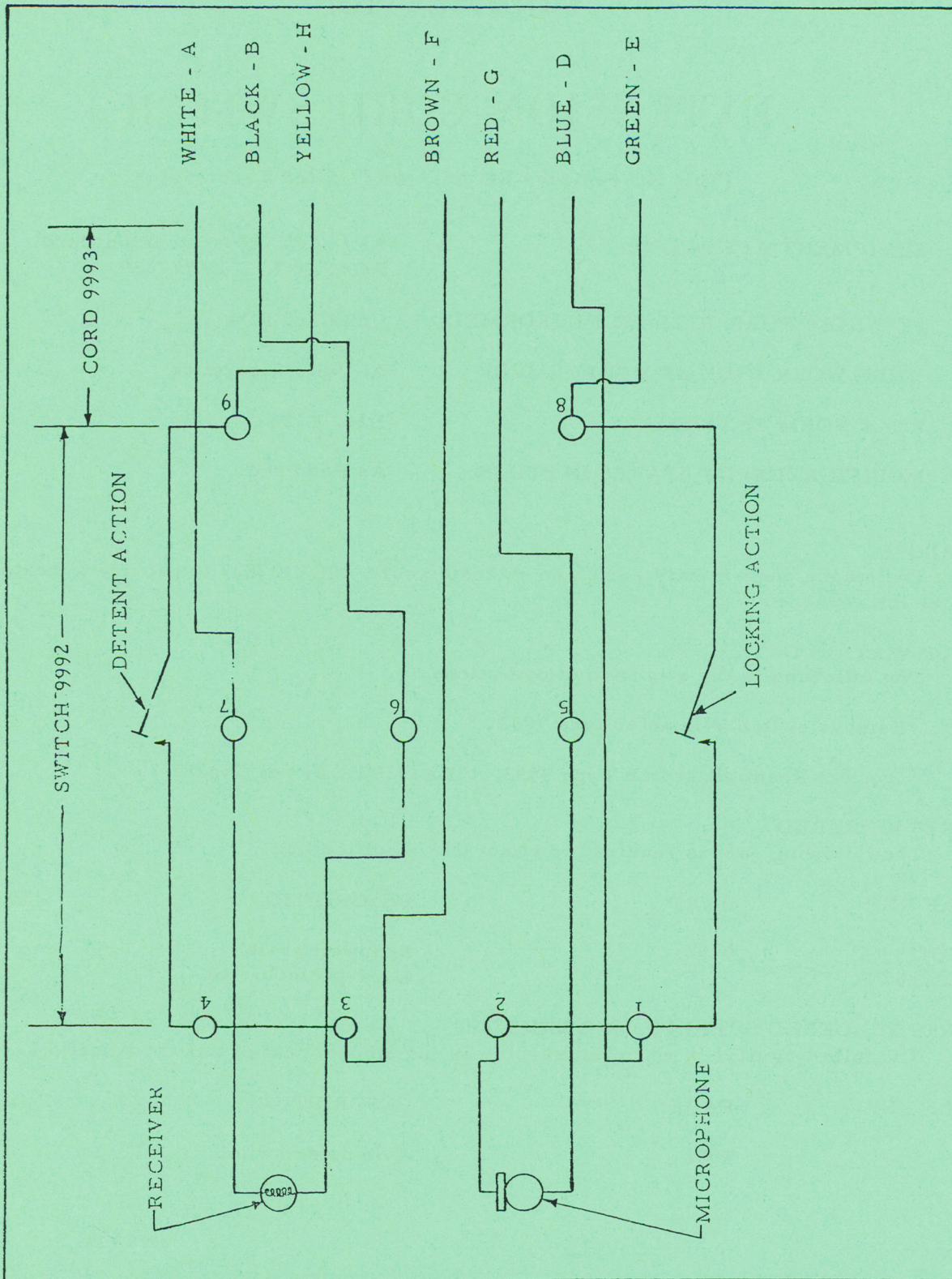


Figure 1

ISSUED ON AUTHORITY OF THE CHIEF OF THE AIR STAFF

Prepared By
AMC/S Tel O/Tel AF

*Replaced
05-6A/13*

MODIFICATION STANDARDIZATION OF ELECTRICAL CONNECTORS FOR B-16 TYPE COMPASSES

EQUIPMENT AFFECTED:	All Aircraft fitted with B-16 Type Compasses
BY WHOM WORK WILL BE PERFORMED:	Operating Units, RDs and Contractors
WHEN WORK WILL BE PERFORMED:	As required on replacement of compasses.
RCAF FORM ENTRIES:	L14, Log Book
MODIFICATION OF SPARES IN STOCK:	NA

PURPOSE

1 This Modification provides for standardization of the electrical connectors for the B-16 type standby compasses.

MODIFICATION DATA

2 Where electrical connectors other than type AN3116-1 are fitted to the aircraft wiring for the B-16 type compasses such connectors are to be replaced with this standard type.

PARTS REQUIRED

3 The following part is required for embodiment of this Modification and is to be demanded from the appropriate Supply Depot: -

RCAF REF	PART	DESCRIPTION	QUANTITY
5CC/493	AN3116-1	Connector	1

PARTS RENDERED SURPLUS OR OBSOLETE

4 Connectors removed as a result of this Modification are to be disposed of in accordance with CAP 16, Vol. 1, Chap. 13.

WEIGHT, LOADING AND BALANCE DATA

5 The effect on the weight, loading and balance of aircraft is negligible.

ISSUED ON AUTHORITY OF THE CHIEF OF THE AIR STAFF

Prepared By:
AMC/SACO/ACA

